



HYCON RING SAW



POWER BEYOND COMPARE.



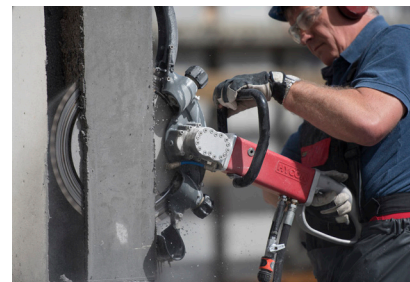
HYCON HYDRAULIC RING SAW

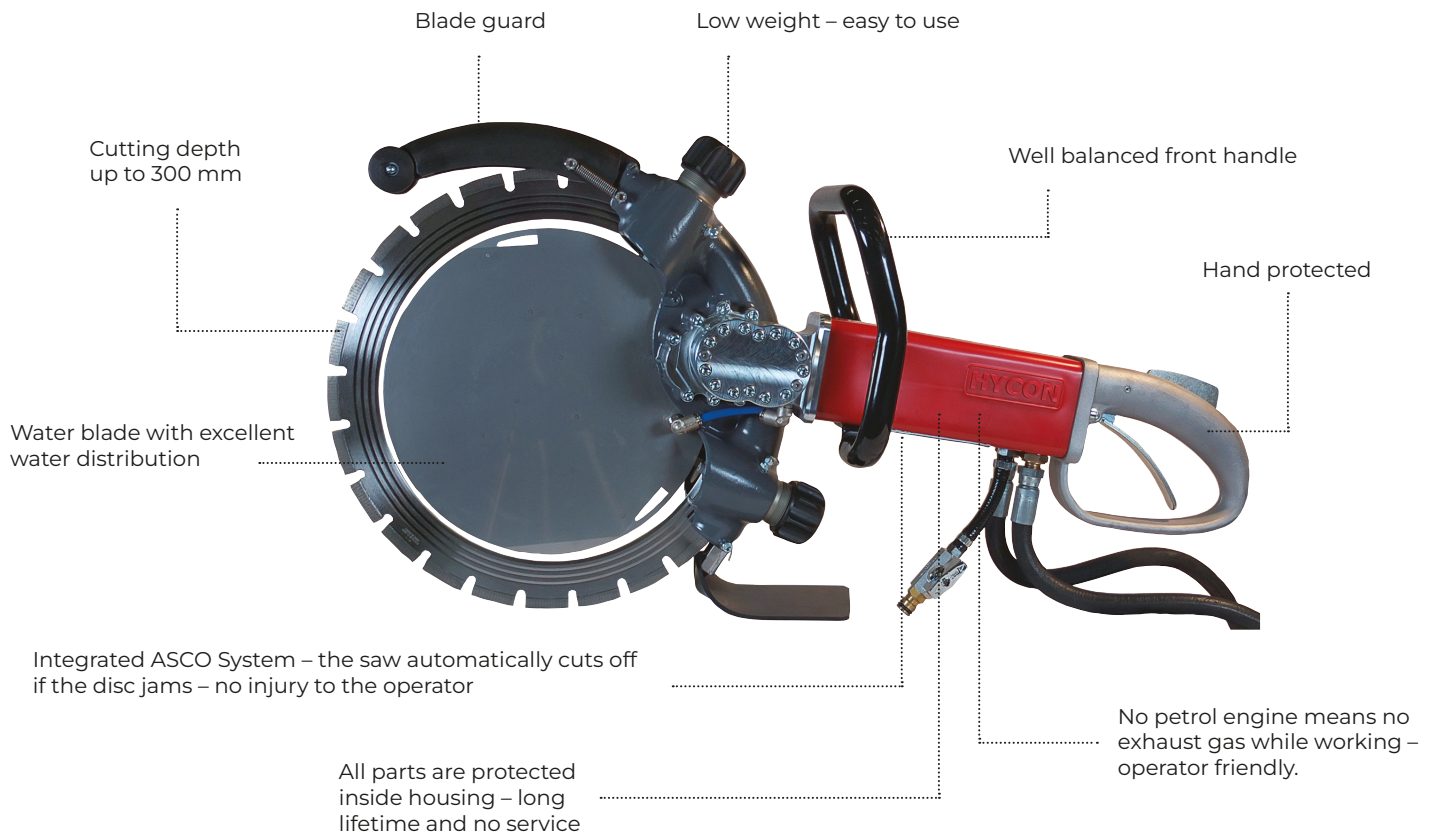
Cutting for professionals. HYCON's state-of-the-art ring saw is designed to get the toughest jobs done fast and easily.

The HYCON handheld hydraulic ring saw will cut 300 mm reinforced concrete safely, fast, and anywhere. Compact in size and weighing only 10 kg, operators can easily handle and place the ring saw anywhere needed to cut thick walls, door openings, and the like. No kickback from a jammed ring blade makes it safe to cut in any difficult position or narrow space.

A specially designed, highly efficient hydraulic gear motor with internal piping both for water and hydraulic oil reduces size and weight with increased cooling for the longest lifetime.

With the HYCON ring saw, you can safely and easily manage tough jobs handheld. With no center drive shaft to reduce the cutting depth, the HYCON ring saw with a 400 mm blade will cut as deep as a heavy, costly wall saw with a 700mm blade. Use the HYCON SawEZ rail system to turn the ring saw into a rail saw for accurate and easy cutting of wall openings.





ADDITIONAL FEATURES

- ▶ Cut any concrete, bricks, stone etc. also with rebar in 300 mm depth.
- ▶ Cut openings for doors and windows, pipes etc.
- ▶ Fit for underwater jobs.
- ▶ Very powerful – up to 18 HP.
- ▶ Ergonomic design for operator comfort.
- ▶ Easy change of blades.
- ▶ Lower vibrations and weight.



HRS400

The power and cutting depth make the HYCON handheld hydraulic ring saw a durable and popular choice for all heavy-duty jobs.

With no downtime, the HRS400 is a solid partner and a great investment with a state-of-the-art mechanism. All parts run in oil, limiting downtime, and keeping the need for service at a minimum. Long-lasting wearing parts secure low operation costs.

The ring saw is extremely powerful, and is suitable for bigger construction projects, where a lot of concrete cutting is required at different locations. Apply 160 bars, and the saw will allow you to cut deep and fast.

TECHNICAL SPECIFICATIONS

HYDRAULIC CONCRETE RING SAW

HRS400

Item no.	3030650
Weight [kg / lbs]	10.2 / 20.3
Blade dimensions Ø [mm / inch]	400 / 16
Cutting depth [mm / inch]	300 / 12
Oil flow [LPM / GPM]	30 - 40 / 8 - 10
Working pressure [bar / psi]	120 / 1740
Max pressure [bar / psi]	172 / 2500
Rotation speed max [rpm]	2350
Blade peripheral speed max [m/s / yard per second]	49 / 54
Sound power level L _{Wa} [dB]	109
Vibration level, 3 axis [m/s ²]	< 2.5

PLEASE NOTE! Ring blade is not included.

ACCESSORIES

HYCON SAWEZ GUIDE RAIL FOR HCS AND HRS SAWS

The SawEZ guide rail is a unique system developed to enable contractors and semi-professionals to mount a saw without having to stand with a heavy and large wall saw.

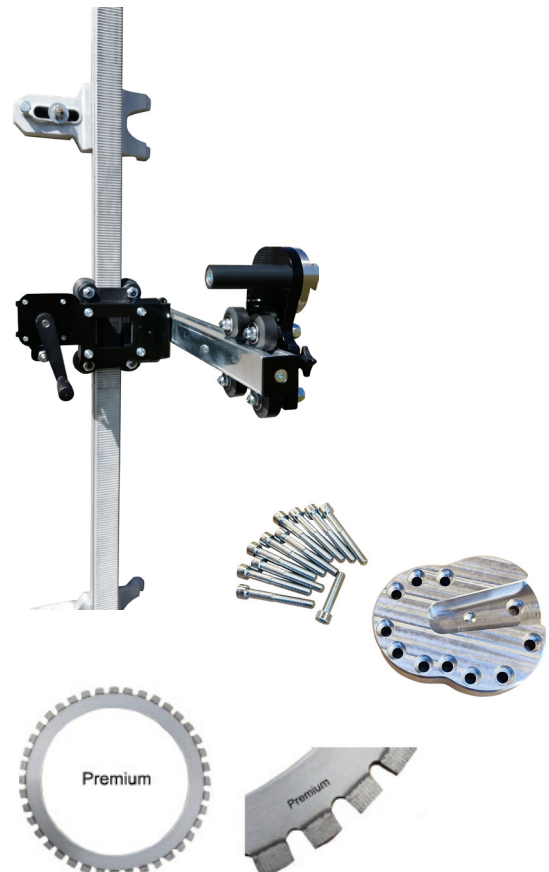
Item no. Rail kit excl. saw Adaptor	4040100
Weight w/o saw [kg / lbs]	24 / 53
Standard rail length [mm / inch]	2000 / 79
Effective cutting length [mm / inch]	1770 / 70
Remote trigger	Included
Max cutting depth with HRS400 [mm / inch]	300 / 12

ADAPTOR FOR SAWEZ MOUNTING

Item no. HRS400 adaptor kit including bolts	4040163
---	---------

BLADE

Item no. Premium concrete incl. drive wheel	4030655
---	---------



SEE ADDITIONAL PRODUCT RANGE ON HYCON.DK

HYCON

HYCON A/S
Juelstrupparken 11
DK-9530 Støvring

Tel +45 9647 5200
hycon@hycon.dk
www.hycon.dk

DISTRIBUTOR: